

PRODUCT DATASHEET

IP65 Not afraid of the harsh environment tri-proof light HYD-T21-40W 6500K



Application

- Tunnel
- Parking lot
- Factory
- Petrochemical working areas

Benefit

- Flicker free
- Protection against water and dust, IP65
- Linear lamp body to achieve geometric design, free splicing, decorating space
- It can be installed in various ways, such as ceiling, hoisting and embedding, to achieve rich light and shadow space design

Feature

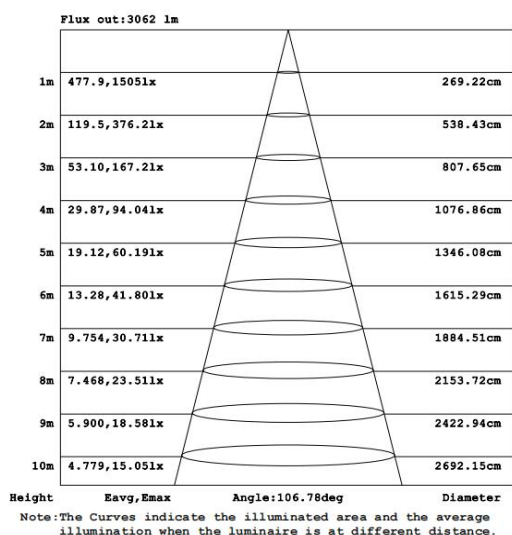
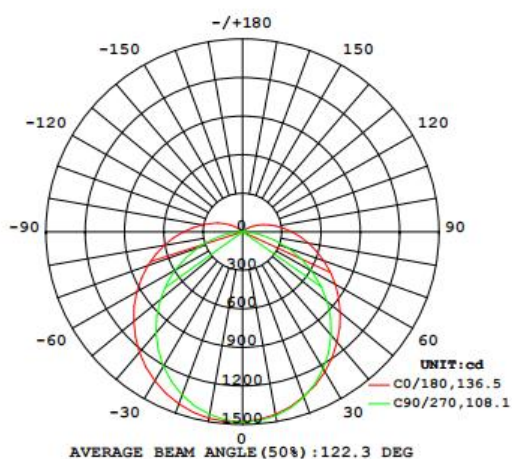
- Clear PC Lenses
- Warranty 5 years
- Easy and quick installation
- Brand driven, stable performance, security

Electrical Data

Nominal wattage (W)	40 W
Nominal Voltage (V)	220-240 V
Mains Frequency (Hz)	50/60 Hz
Nominal Current (mA)	176.2 mA
LED Driver Current (mA)	1000 mA
LED Driver Efficiency (%)	>88%
Power Factor λ	0.95
Total harmonic distortion (%)	< 20%
Operating mode	Built in LED driver

Photometrical data

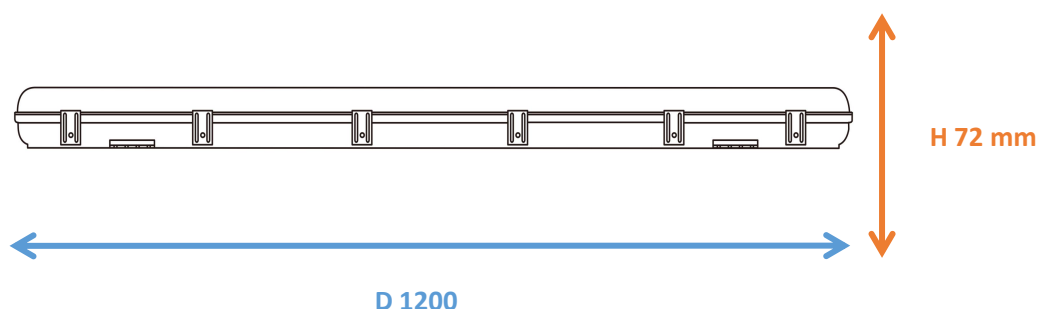
Luminous flux $\pm 10\%$ (lm)	5378 lm
Luminous efficacy	141 lm/w
Color temperature	6500K
Light color (designation)	Cold White
Color rendering index Ra	≥ 80
Standard deviation of color matching	≤ 5 SDCM
Luminous intensity/cd	1482 cd
Flickering	Flicker free
Beam angle	122 °



IES

Dimensions & Weight

Diameter (mm)	1200*80
Height (mm)	72
Product weight (g)	1694



Material & Colors

Product color	White+Gray
Housing color	Gray
Body material	PC
Cover material	PC
Mercury content	0.0 mg

Application & Mounting

Ambient temperature range	-30°C - +45 °C
Temperature range at storage	-30°C - +80 °C
Type of connection	Screw terminal
Type of protection	IP65
Dimmable	No
Mounting type	Surface mounted
Mounting location	Ceiling
Application environment	Indoor/Outdoor
Cut size (mm)	No
LED module replaceable	Not replaceable
With light source	Yes

Certificates & Lifespan

Life (h)	50,000
Certificates	CB CE LVD EMC RoHS
Standards	ISO9001:2015

Logistical Data

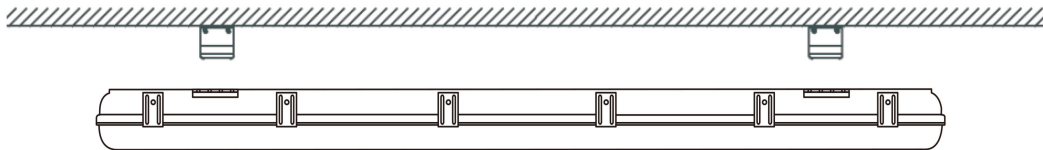
Product code	Dimensions (L*W*H)	Pcs/ carton	G.W. kg	Volume CBM
HYD-T21-40W	125*26*28 cm	9	16.2	0.09100 m ³

Installation Method

- ① Fix the 2 bracket on the ceiling with the screws



- ② Clip the light for connecting lines into the bracket and complete the installation



Disclaimer

Subject to change without notice. Errors and omission excepted. Always make sure to use the most recent release.